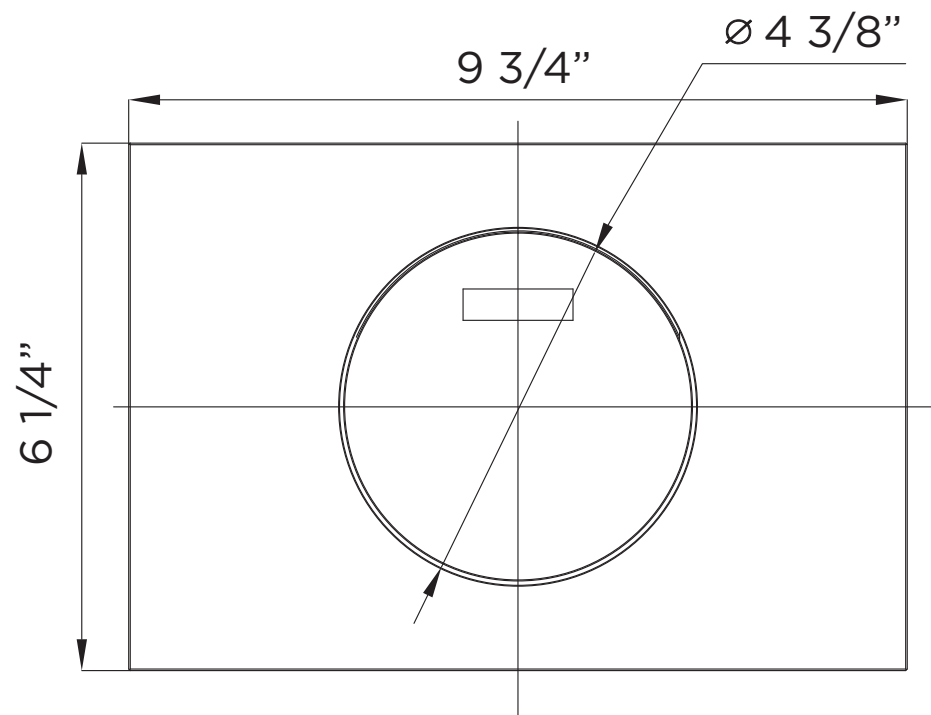
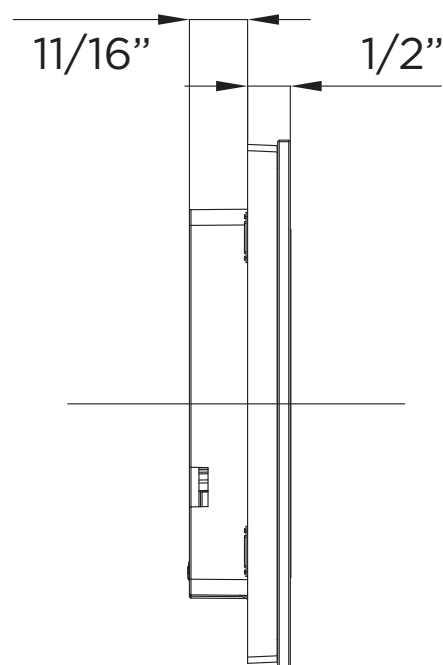


## SPECIFICATIONS / TECHNICAL DATA

### GLASS SENSOR

# ACTUATOR



*ATTENTION! Dimensions may vary by up to  $3/8''$ . It is highly recommended to pull all dimensions of actual model for installation and measuring purposes.*

**MODEL# SCTA01GBL**